



NEFTEKAMSK MACHINERY PLANT  
OF SPECIAL EQUIPMENT

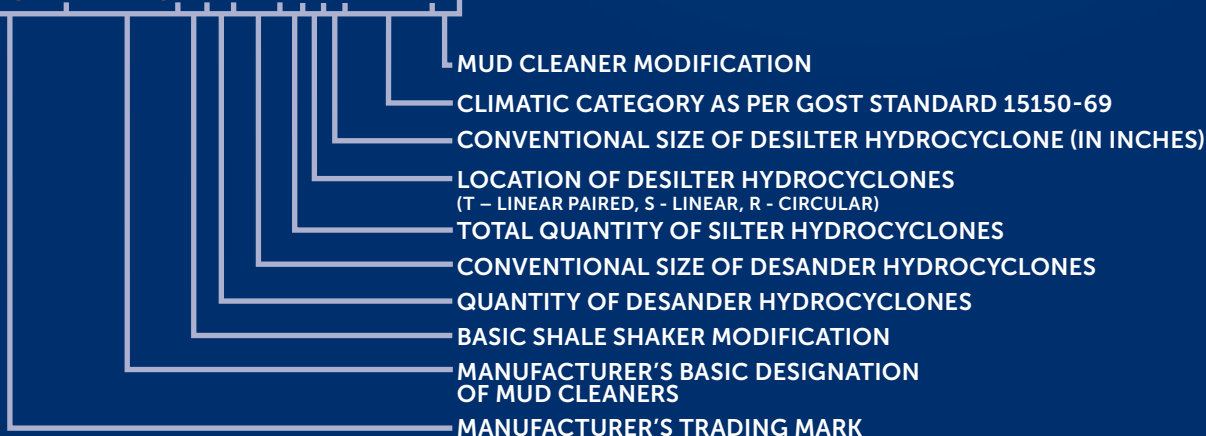


MUD CLEANER

**CRUISER**

**MK 720-100-2-12-6T4-UKhL3.1-100**

**CRUISER MK 720-X-X-XX-XXX-XXXX-X**



### DESIGNATION

Mud-cleaner is designed for drilling mud cleaning from drill cuttings when drilling oil and gas wells. A mud cleaner includes a system of hydrocyclones and a shale shaker. It is used as part of circulation systems for drilling rigs. CRUISER mud cleaner is manufactured based on CRUISER MK700-1-03-1-UKhL3.1-100 shale shaker.

### DESIGN AND PERFORMANCE

Mud cleaner has a design ensuring high performance with compact sizes. A mud cleaner can function separately as a desilter, desander or shale shaker.

### DURABILITY

Hydrocyclones and desilters are made of high tenacity polyurethane, and a part of mud cleaner components is made of stainless steel.

### CORROSION PROTECTION

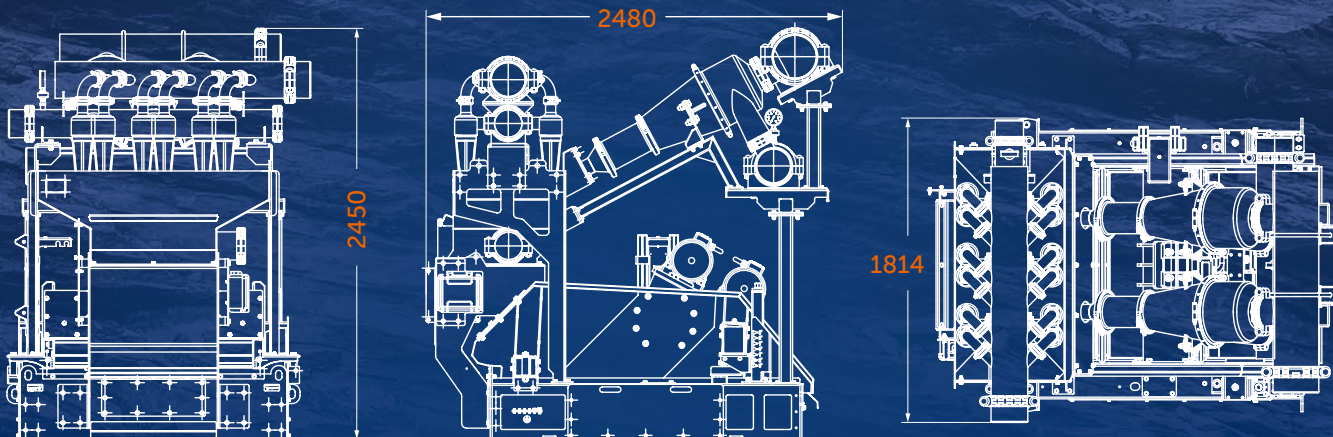
As a base for the paint coating, there are used zinc rich primer and 2-pack premium enamel which provides high resistance to the atmospheric exposure, drilling mud impact and chafing. The coating durability lasts for 10 years.

### SAFETY

All the electrical equipment has an explosion-proof design. Explosion protection grade is IIGbcIIBT4.

19 Magistralnaya St., Neftekamsk, Republic of Bashkortostan, 452683, Russia

Tel. +7 (34783) 2-02-02, 2-00-13, 7-02-39 | [www.nkmzst.ru](http://www.nkmzst.ru), [st@nkmz.ru](mailto:st@nkmz.ru)



MUD CLEANER

**CRUISER**

**MK 720-100-2-12-6T4-UKhL3.1-100**

## TECHNICAL SPECIFICATIONS

Equipment description	Parameters		Values
Mud cleaner	Overall dimensions (L x W x H)	mm	2480 x 1814 x 2450
	Mass, max	kg	2343
Desander	Hydrocyclones quantity	pcs	2
	Hydrocyclone size	inch/mm	12"/300
	Performance	m <sup>3</sup> /min	3.7
	Cone through bore size	mm	9-38
	Particle size range	micron	44-110
	Overall dimensions (L x W x H)	mm	1807 x 1580 x 1989
	Mass	kg	467
	Required head pressure	m	22.8
Desilter	Hydrocyclones quantity	pcs	12
	Hydrocyclone size	inch/mm	4"/100
	Performance	m <sup>3</sup> /min	3.4
	Cone through bore size	mm	10-16
	Particle size range	micron	25-110
	Overall dimensions (L x W x H)	mm	928 x 1803 x 2215
	Mass	kg	440
	Required head pressure	m	27.43

In connection with continuous mud cleaner improvement work in order to increase reliability and performance, changes may be made to the design that are not stated in this description.



**Manufacturer: NKMZ-ST, Ltd.**

19 Magistralnaya St., Neftekamsk, Republic of Bashkortostan, 452683, Russia  
 Tel. +7 (34783) 2-02-02, 2-00-13, 7-02-39 | [www.nkmzst.ru](http://www.nkmzst.ru), [st@nkmz.ru](mailto:st@nkmz.ru)