



NEFTEKAMSK MACHINERY PLANT  
OF SPECIAL EQUIPMENT

AUXILIARY WINCH

**EXTRALIFT**

**LV-50 AT-SU-1-N-15-UKhL1**

NTRM.611459.011 TU



XXXX-XX XX-XX-X-X-XX-XXX

- CLIMATIC VERSION
- CUSTOMIZED SYMBOLS
- CONTROL CABINET DESIGN VERSION  
(G – ground type, W - wall hinged, E - explosion-proof)
- NUMBER OF DRUMS
- CONTROL SYSTEM AVAILABILITY SYMBOLS
- LIFTING CAPACITY, KN
- TYPE

### PURPOSE

Auxiliary winch LV-50 AT-SU-1-N-15- UKhL1 (hereinafter referred to as the Winch), designed for transportation of goods and tools from catwalk to the drilling site, as well as lifting various cargoes on the drilling site within the nominal load capacity.

### EQUIPMENT

The main components of the winch are: frame, drum, gearbox, drum guard, electromagnetic brake and electric motor.

### DESIGN

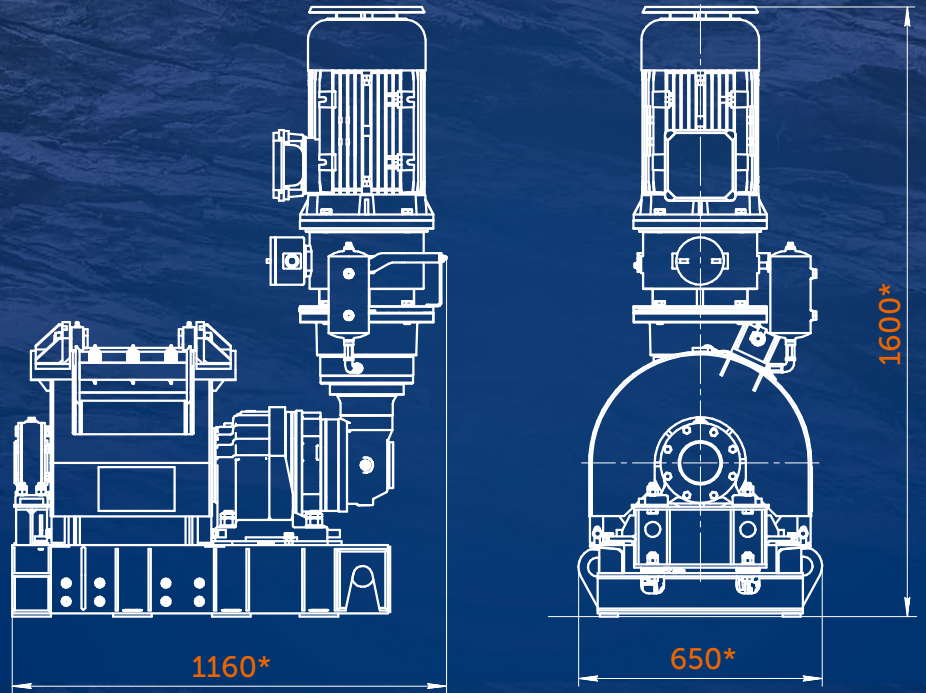
The connection of the output shaft of the gearbox and the drum is realized through an intermediate toothed bushing.

The drive motor is bolted to the electromagnetic brake flange, the brake is fixed to the gearbox flange. The electric motor shaft is connected to the input shaft of the brake by means of a key connection, the output shaft of the brake is connected to the input shaft of the gearbox also by means of a key connection. The electromagnetic brake is optionally equipped with a handle for manually releasing the drum in case of emergency.

In normal operation, the brake is automatically released simultaneously with the supply of electricity to the electric motor. For the correct laying of the rope on the drum, there are two pressure rollers fixed on the railing and on the frame.

19 Magistralnaya St., Neftekamsk, Republic of Bashkortostan, 452683, Russia

Tel. +7 (34783) 2-02-02, 2-00-13, 7-02-39 | [www.nkmzst.ru](http://www.nkmzst.ru), [st@nkmz.ru](mailto:st@nkmz.ru)



HOISTING WINCH

**EXTRALIFT**

**LV-50 AT-SU-1-N-15-UKhL1**

NTRM.611459.011 TU

## TECHNICAL SPECIFICATIONS

| Description                             |     | Value                               |
|---|-----|-------------------------------------|
| Purpose                                 |     | Auxiliary, cargo                    |
| Drive power                             | kW  | 15                                  |
| Lifting capacity                        | t   | 5                                   |
| Drive voltage                           | V   | 400                                 |
| Rated engine speed                      | rpm | 1500                                |
| Rope tension                            | kN  | 49.05                               |
| Brake type                              |     | Electromagnetic, disc               |
| Braking torque of electromagnetic brake | Nm  | 150                                 |
| Rope winding speed                      | m/s | 0.32                                |
| Recommended rope type                   |     | 15.5-G-VK-S-N-R-T-1860 GOST 3079-80 |
| Drum rope capacity                      | m   | 100                                 |
| Gearbox type                            |     | Bevel-planetary                     |
| Gear ratio                              |     | 78                                  |
| Operating temperature range             | °C  | -45°...+40°                         |
| Type of protection                      |     | II GbclIBT4                         |
| Overall dimensions of the winch (LxWxH) | mm  | 1160x650x1600                       |
| Winch weight                            | kg  | 780                                 |

In connection with constant work to improve the winch in order to increase reliability and performance, design changes may be made that are not reflected in this description.



**Manufacturer: NKMZ-ST, Ltd.**

19 Magistralnaya St., Neftekamsk, Republic of Bashkortostan, 452683, Russia  
 Tel. +7 (34783) 2-02-02, 2-00-13, 7-02-39 | [www.nkmzst.ru](http://www.nkmzst.ru), [st@nkmz.ru](mailto:st@nkmz.ru)