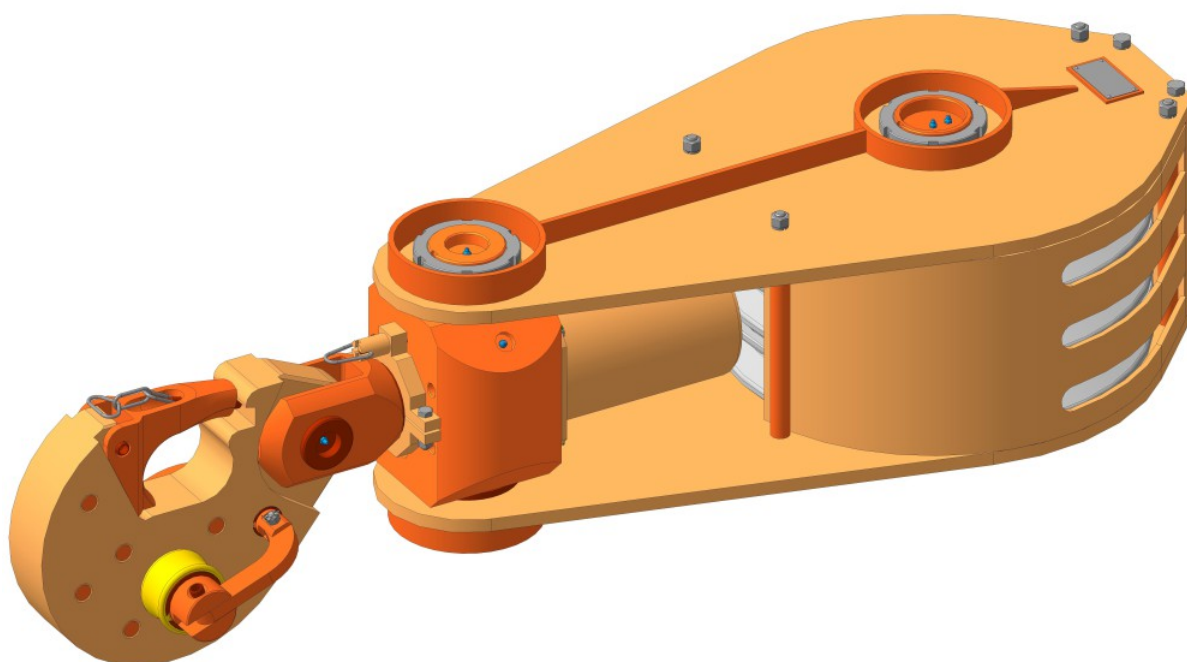


HOOK-BLOCK МК 080.09.00.000-10, I/c-50 t

Hook-block is used in the block-and-tackle system of drill service trucks for round trip operations in well repair and stimulation. The hook-block is designed for hanging links, elevators and other tools.

Specifications

| | |
|---------------------------------------|------|
| Load capacity, t | 50 |
| Sheave diameter of trough bottom, mm | 520 |
| Rope diameter, mm | 25 |
| Sheaves pin diameter, mm | 120 |
| Mouth diameter of hook center arm, mm | 102 |
| Side link support mouth diameter, mm | 75 |
| Overall dimensions | |
| Length, mm | 1811 |
| Width, mm | 652 |
| Height, mm | 511 |
| Mass, kg | 810 |



Manufacturer: NKMZ-ST Ltd.
19, Magistralnaya st., Neftekamsk
Republic of Bashkortostan
Russian Federation 452683
Tel: +7(34783)2-02-02, 2-00-13.
www.nkmzst.ru, st@nkmz.ru