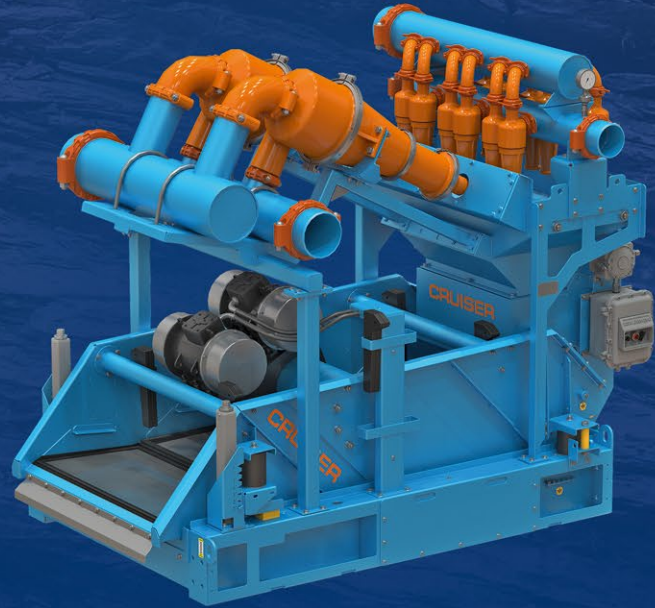




NEFTEKAMSK MACHINERY PLANT
OF SPECIAL EQUIPMENT

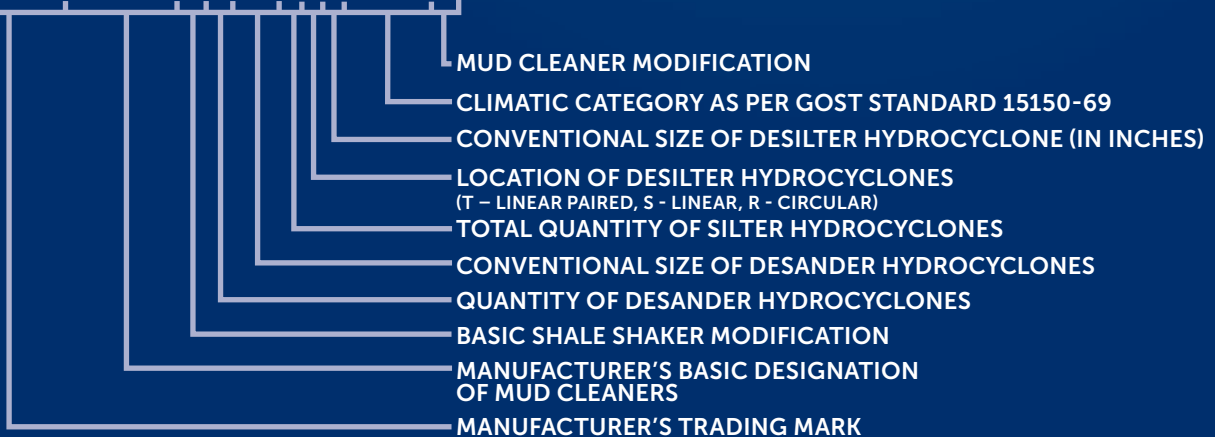


MUD CLEANER

CRUISER

720-40-2-12-6T4-UKhL3.1-40

CRUISER MK 720-X-X-XX-XXX-XXXX-X



DESIGNATION

Mud-cleaner is designed for drilling mud cleaning from drill cuttings when drilling oil and gas wells. A mud cleaner includes a system of hydrocyclones and a shale shaker. It is used as part of circulation systems for drilling rigs. CRUISER mud cleaner is manufactured based on CRUISER MK700-1-04-1-UKhL3.1-40 shale shaker (See description).

DESIGN AND PERFORMANCE

Mud cleaner has a design ensuring high performance with compact sizes. A mud cleaner can function separately as a desilter, desander or shale shaker.

DURABILITY

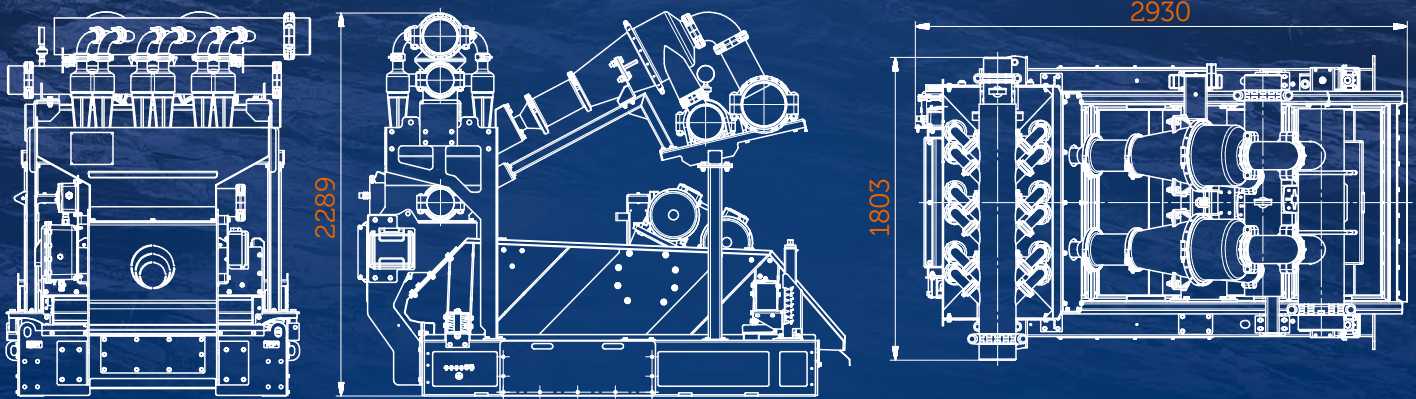
Hydrocyclones and desilters are made of high tenacity polyurethane, and a part of mud cleaner components is made of stainless steel.

CORROSION PROTECTION

As a base for the paint coating, there are used zinc rich primer and 2-pack premium enamel which provides high resistance to the atmospheric exposure, drilling mud impact and chafing. The coating durability lasts for 10 years.

SAFETY

All the electrical equipment has an explosion-proof design. Explosion protection grade is IIGbcIIIBT4.



MUD CLEANER

CRUISER

MK 720-40-2-12-6T4-UKhL3.1-40

TECHNICAL SPECIFICATIONS

Equipment description	Parameters		Values
Mud cleaner	Overall sizes (L x W x H)	mm	2930 x 1803 x 2289
	Mass, max	kg	2500
Desander	Hydrocyclones quantity	pcs	2
	Hydrocyclone size	inch/mm	12"/300
	Performance	m ³ /min	3.7
	Cone through bore size	mm	9-38
	Particle size range	micron	44-110
	Overall dimensions (L x W x H)	mm	1807 x 1580 x 1989
	Mass	kg	467
	Required head pressure	m	22.8
Desilter	Hydrocyclone quantity	pcs	12
	Hydrocyclone size	inch/mm	4"/100
	Performance	m ³ /min	3.7
	Cone through bore size	mm	9-38
	Particle size range	micron	44-110
	Overall dimensions (L x W x H)	mm	928 x 1803 x 2215
	Mass	kg	440
	Required head pressure	m	27.43

In connection with continuous cleaner improvement work in order to increase reliability and performance, changes may be made to the design that are not stated in this description.



Manufacturer: NKMZ-ST, Ltd.

19 Magistralnaya St., Neftekamsk, Republic of Bashkortostan, 452683, Russia
Tel. +7 (34783) 2-02-02, 2-00-13, 7-02-39 | www.nkmzst.ru, st@nkmz.ru